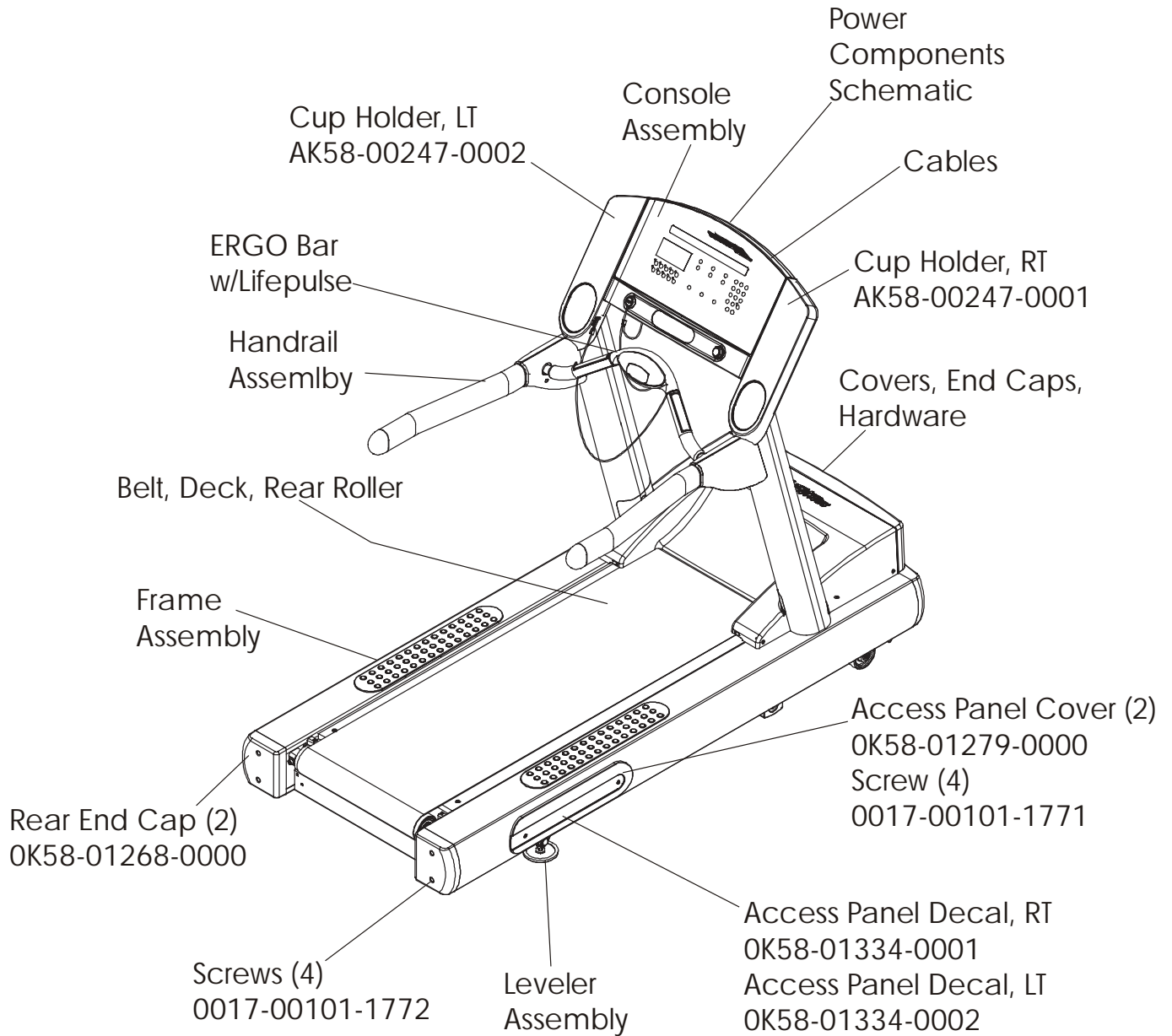


**Treadmill 97Ti**  
**General Assembly**

**97T-0XXXX-02**  
**S/N TTO100000**



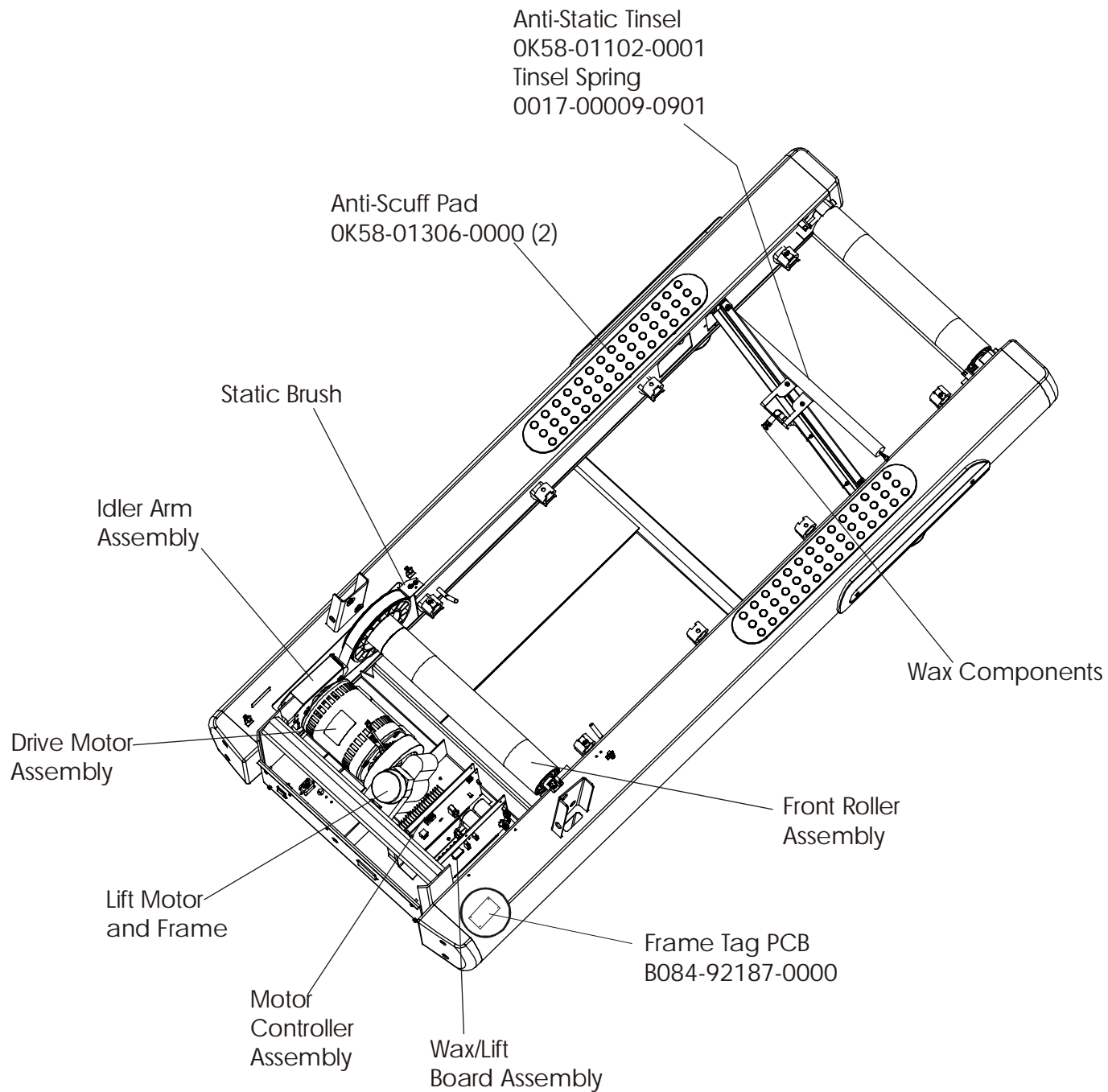
Touch-Up Paint	Color	Container
0017-00008-0196	Silver Bullet	Bottle
0017-00008-0197	Silver Bullet	Spray Can
0017-00008-0198	Stealth Gray	Bottle
0017-00008-0199	Stealth Gray	Spray Can

Manual/Video	Part Number
Operation Manual, Eng	M051-00K58-A081
Service Manual	M051-00K58-A097
Installation Video	M051-00K58-A098
Service Video	M051-00K58-A099

# Treadmill 97Ti

## Frame Assembly

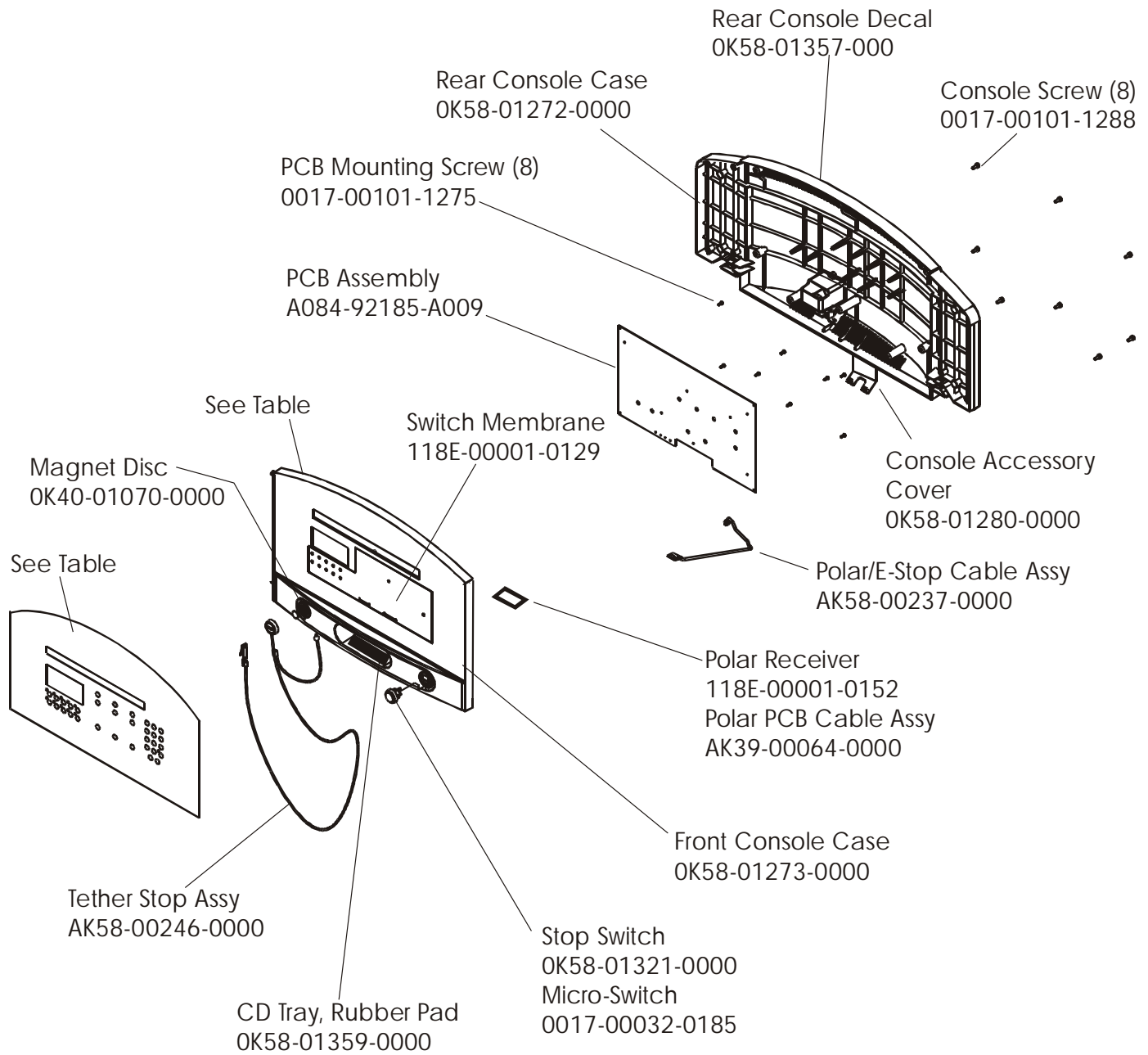
97T-0XXXX-02  
S/N TTO100000



# Treadmill 97Ti

## Console Assembly

97T-0XXXX-02  
S/N TTO100000



Console Assembly	Overlay Switch Bezel Assy	Overlay	Language
AK58-00196-0001	AK58-00202-0001	OK58-01296-0001	Eng/Met
AK58-00196-0002	AK58-00202-0001	OK58-01296-0001	Eng/Eur
AK58-00196-0003	AK58-00202-0003	OK58-01296-0003	German
AK58-00196-0004	AK58-00202-0004	OK58-01296-0004	Spanish
AK58-00196-0006	AK58-00202-0006	OK58-01296-0006	Japanese
AK58-00196-0007	AK58-00202-0007	OK58-01296-0007	French
AK58-00196-0008	AK58-00202-0008	OK58-01296-0008	Italian
AK58-00196-0009	AK58-00202-0009	OK58-01296-0009	Dutch
AK58-00196-00010	AK58-00202-00010	OK58-01296-00010	Portuguese
AK58-00196-00011	AK58-00202-00011	OK58-01296-00011	Chinese

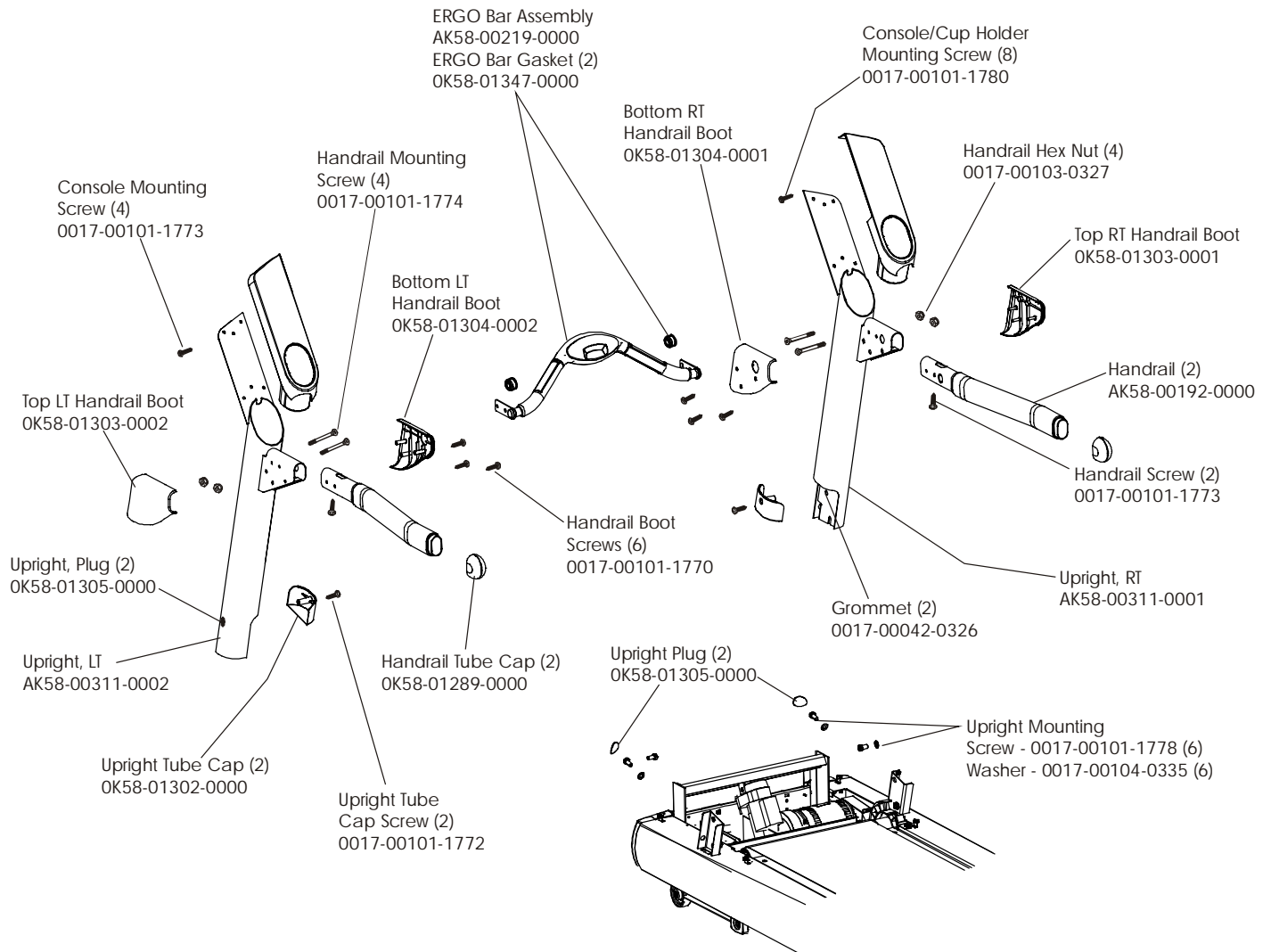
# Treadmill 97Ti

## Handrail Assembly

97T-0XXXX-02  
S/N TTO100000

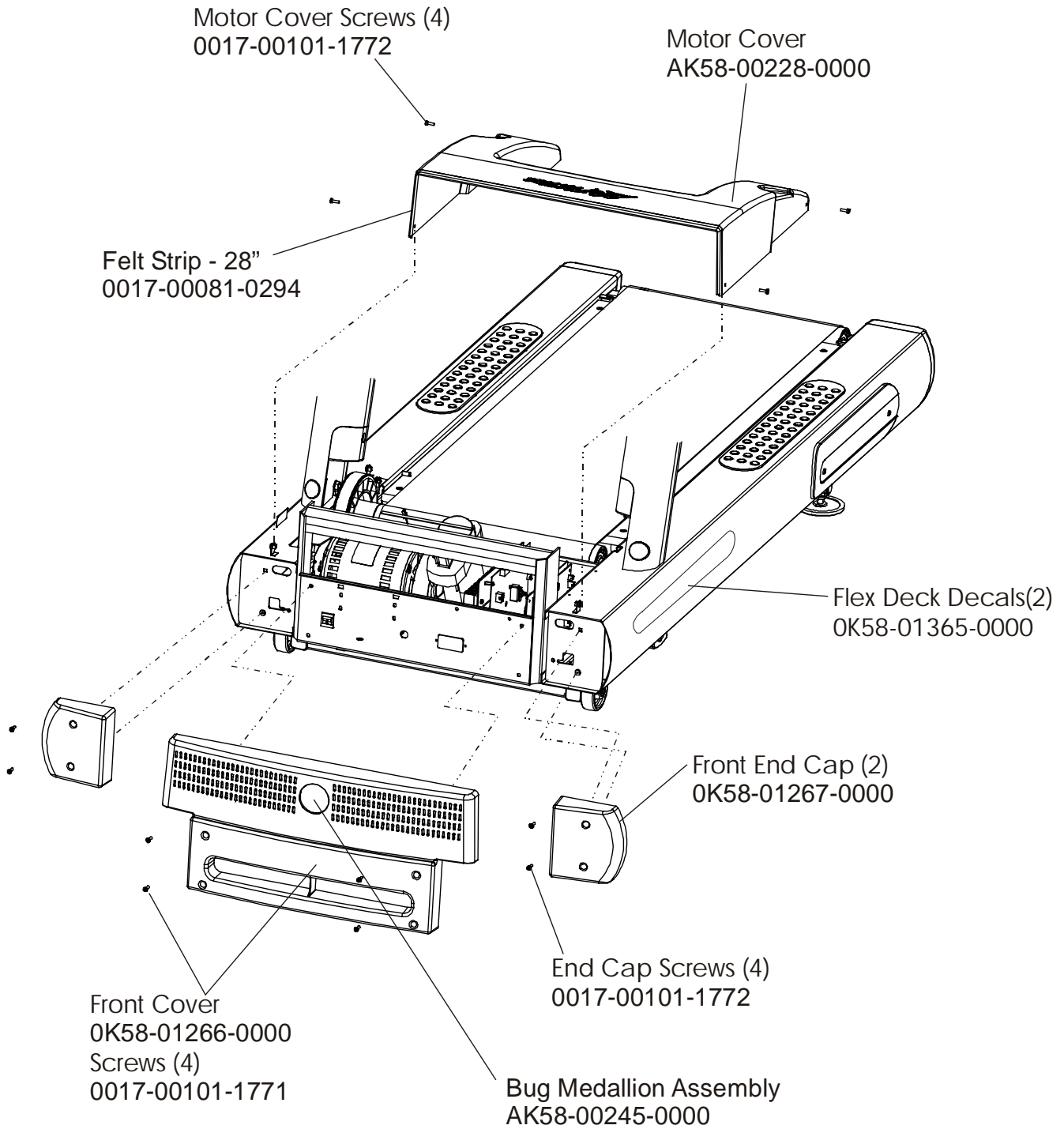
### Hardware Bag Assembly

AK58-00226-0000



**Treadmill 97Ti**  
**Covers, End Caps, Hardware**

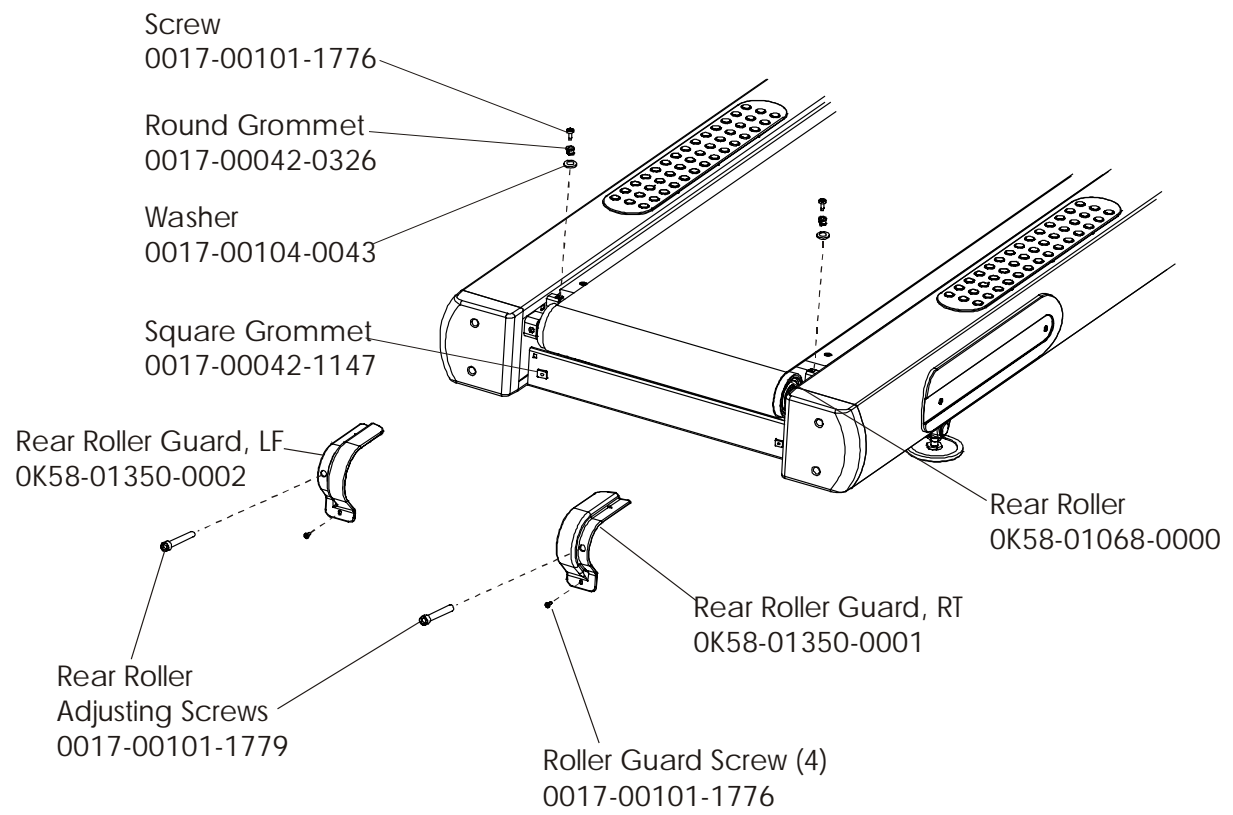
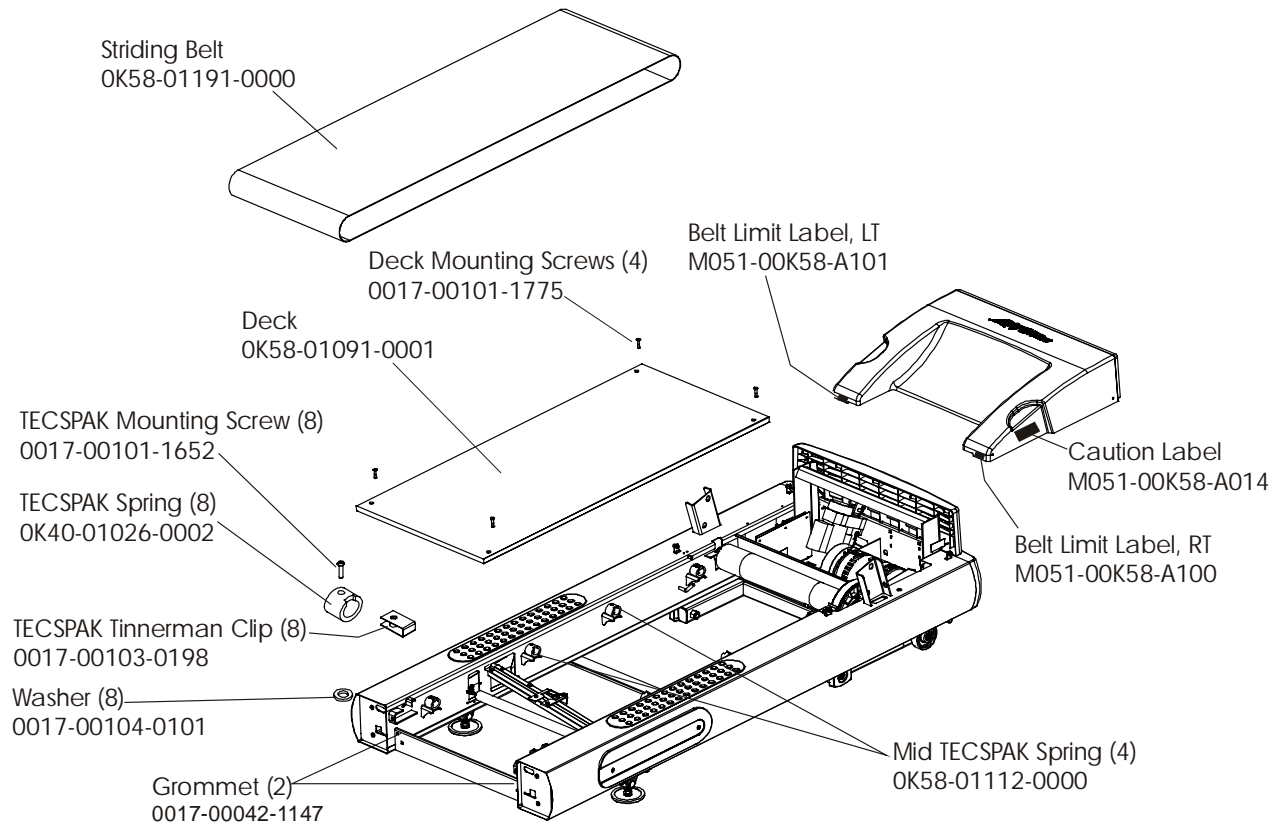
**97T-0XXXX-02**  
**S/N TTO100000**

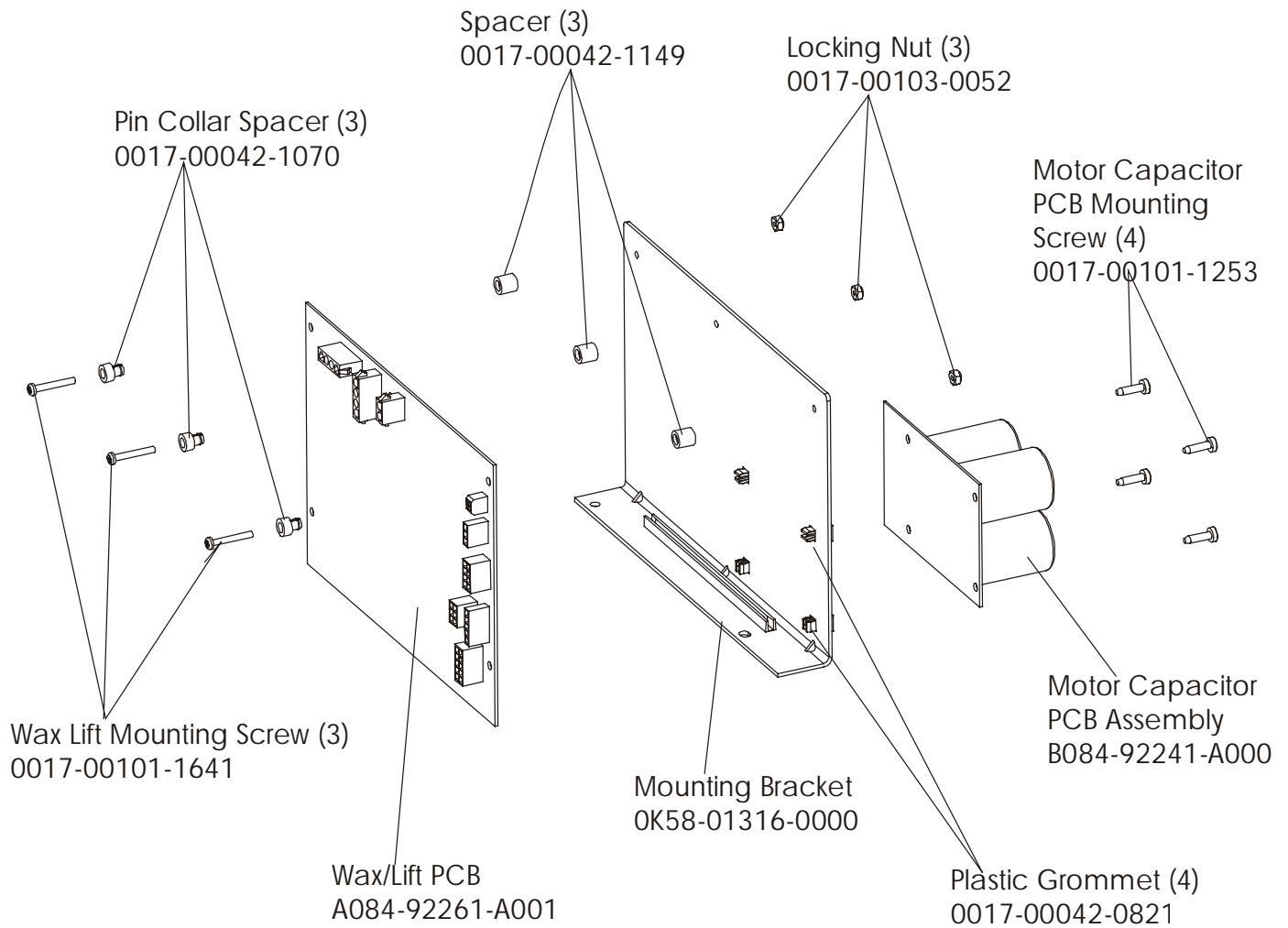


# Treadmill 97Ti

## Belt, Deck, Rear Roller

97T-0XXXX-02  
S/N TTO100000

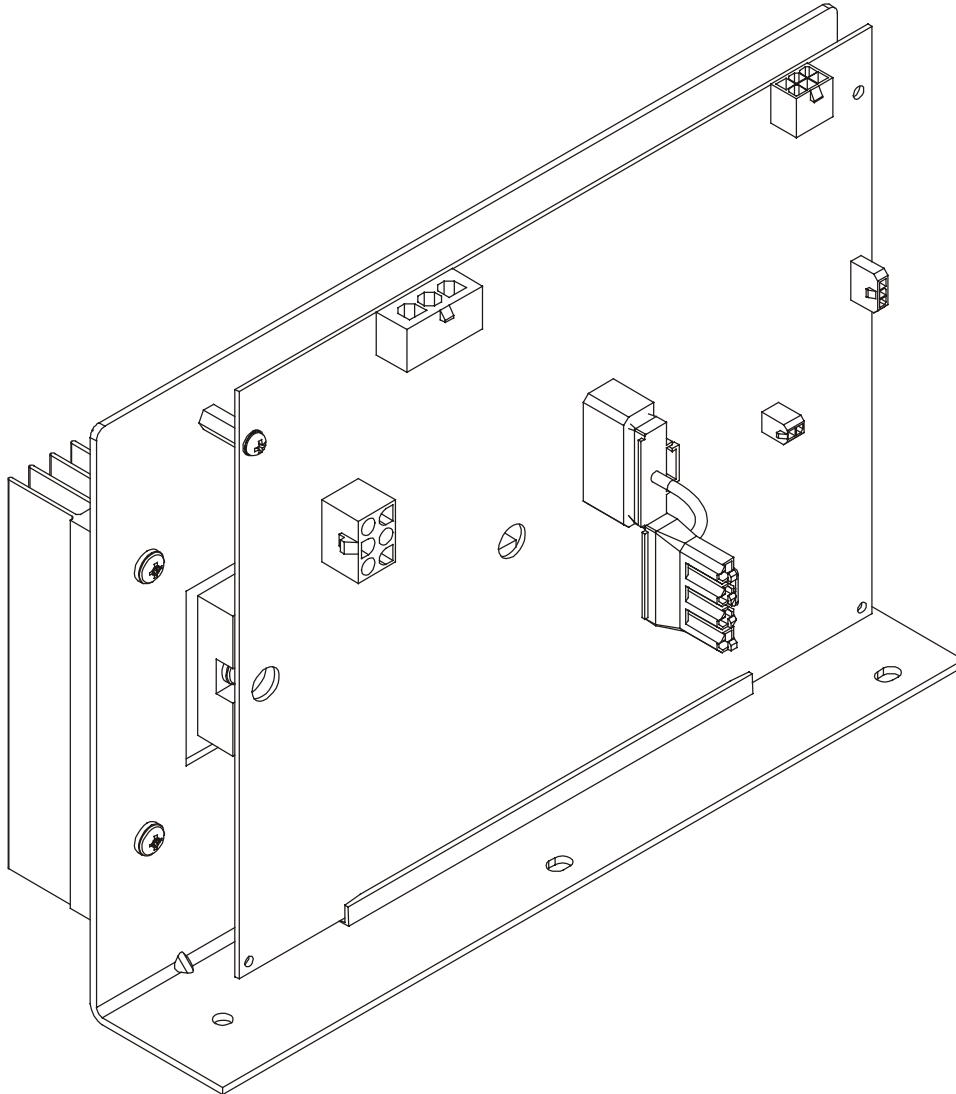




**Treadmill 97Ti**  
**Motor Controller Assembly**

**97T-0XXXX-02**  
**S/N TTO100000**

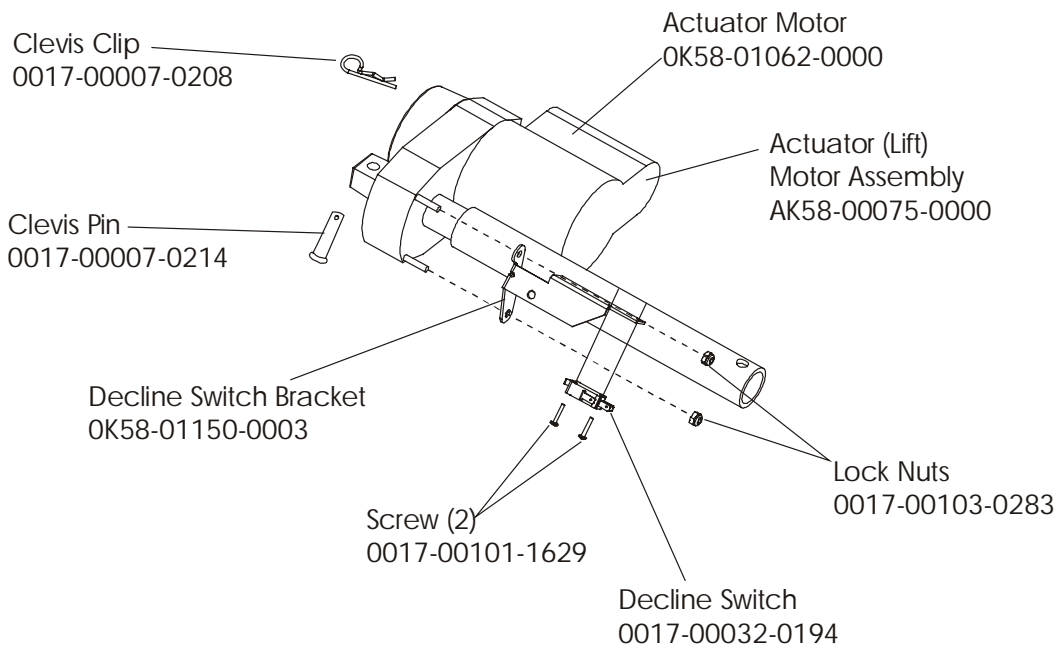
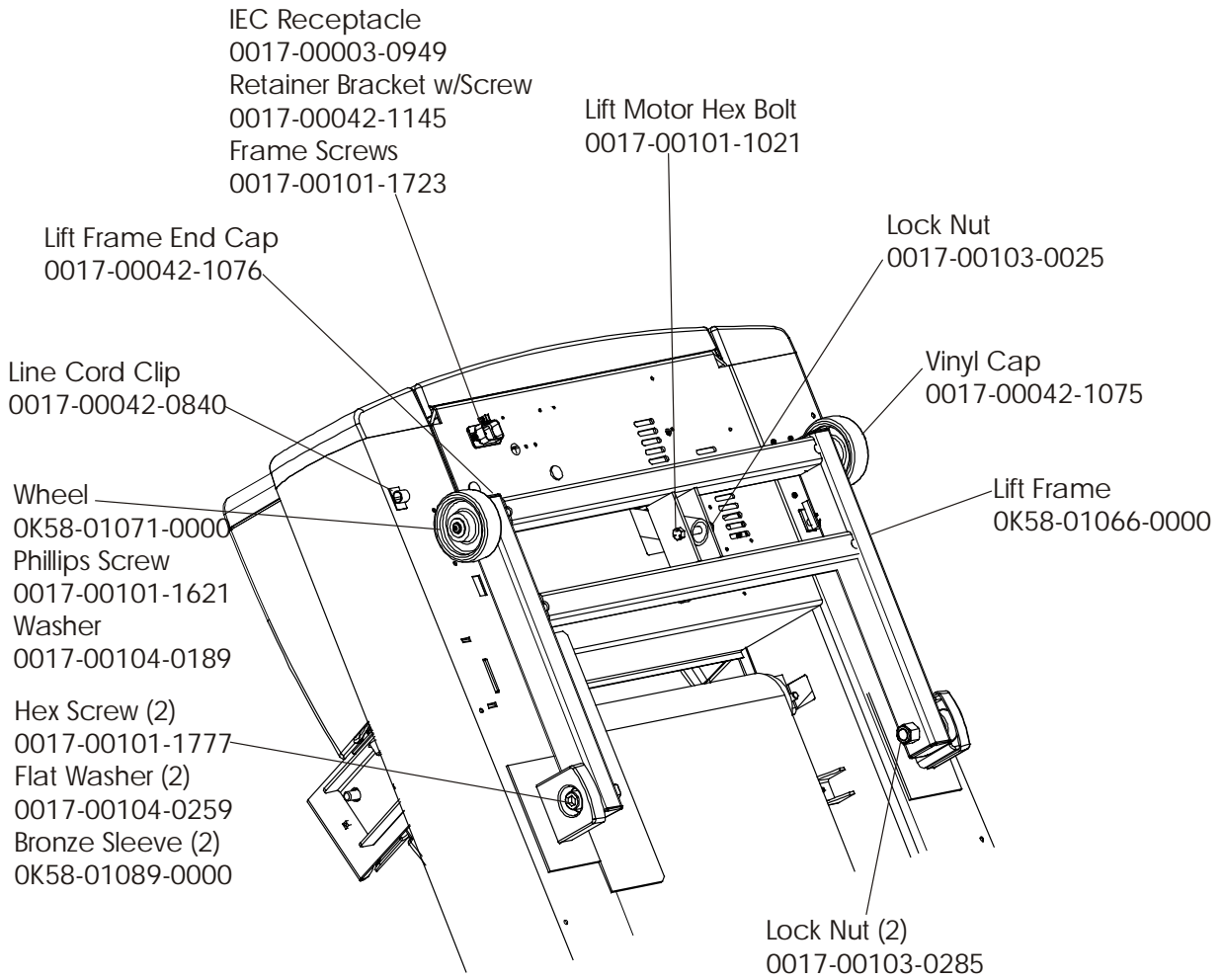
**AK58-00242-0000 (100-120v/60Hz)**  
**AK58-00242-0001 (200-240v/50Hz)**





**Treadmill 97Ti**  
**Lift Motor and Frame**

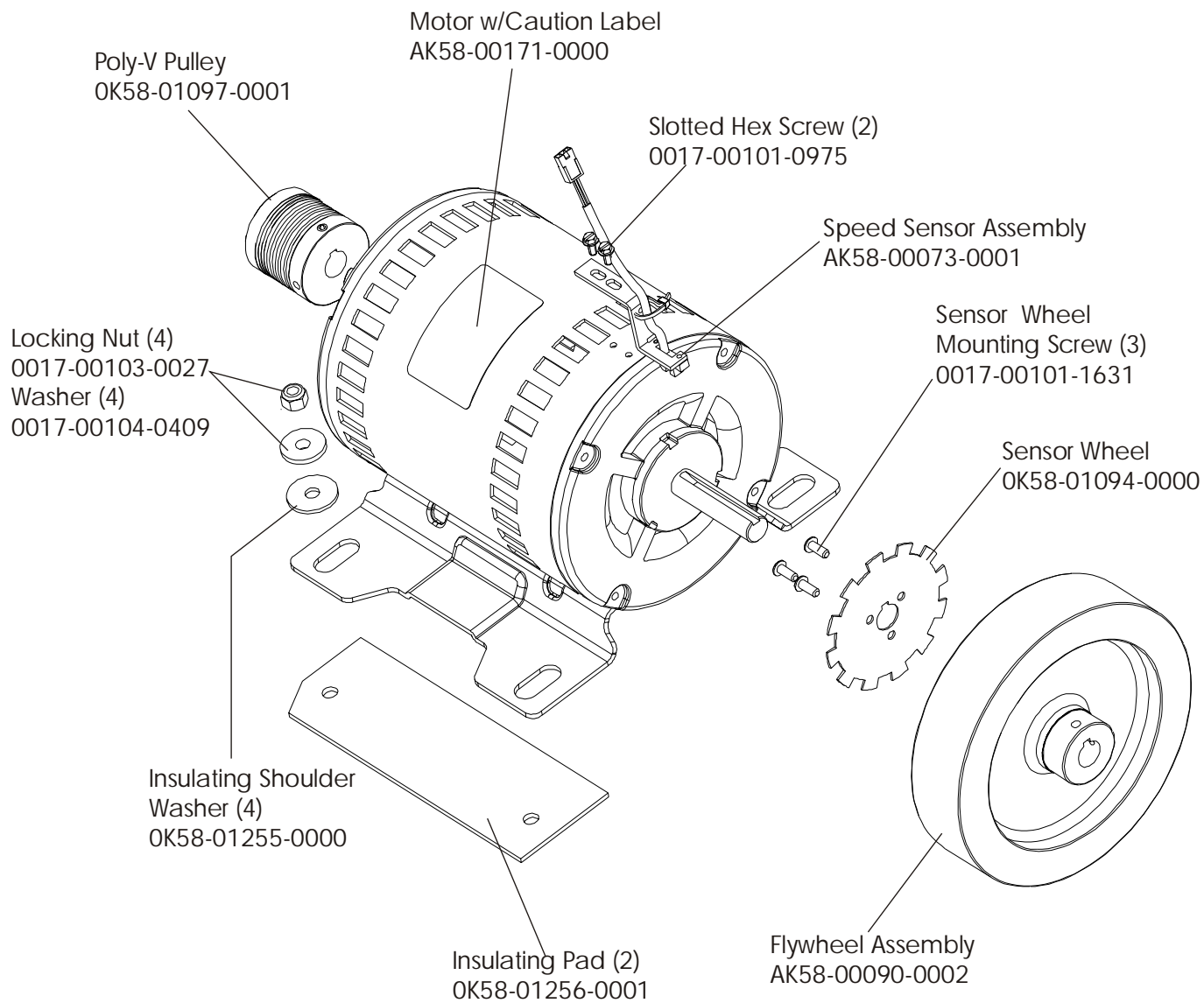
**97T-0XXXX-02**  
**S/N TTO100000**



# Treadmill 97Ti

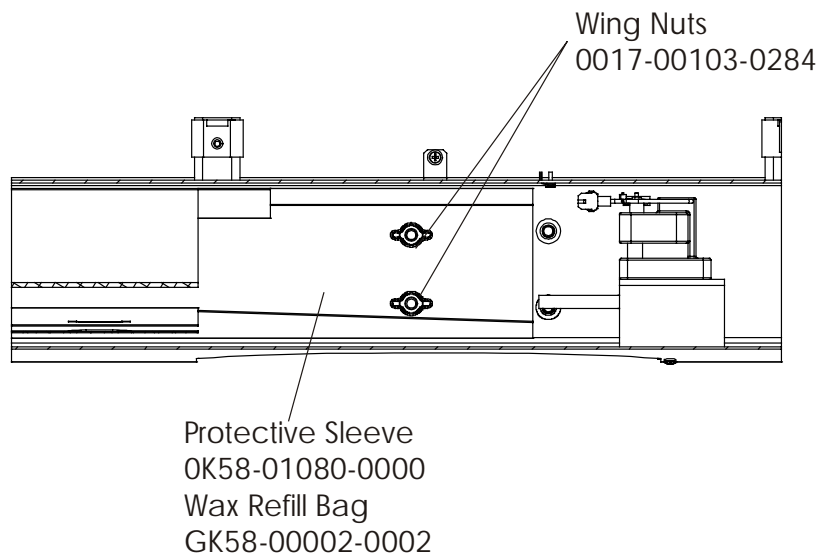
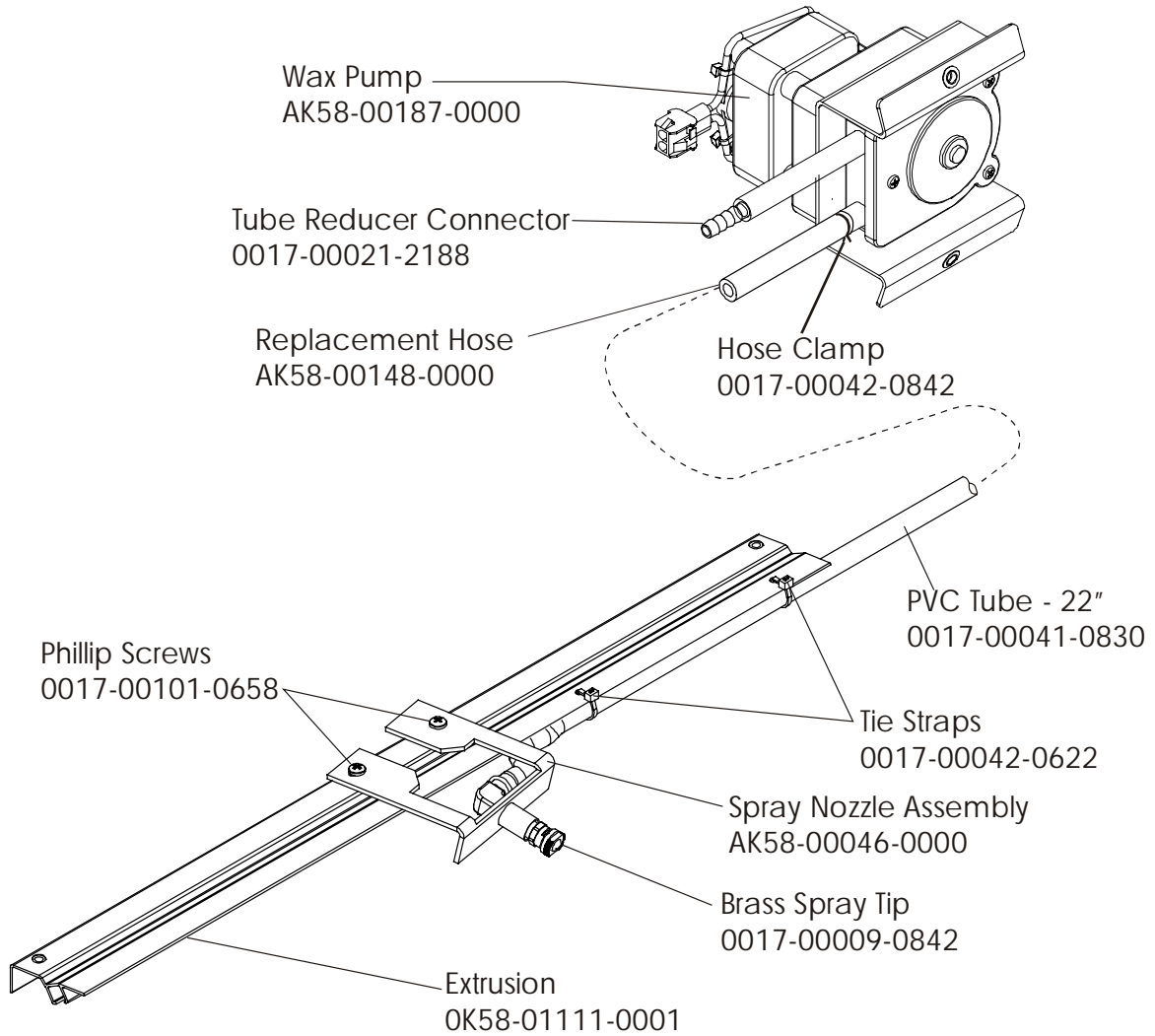
## Drive Motor Assembly

97T-0XXXX-02  
S/N TTO100000



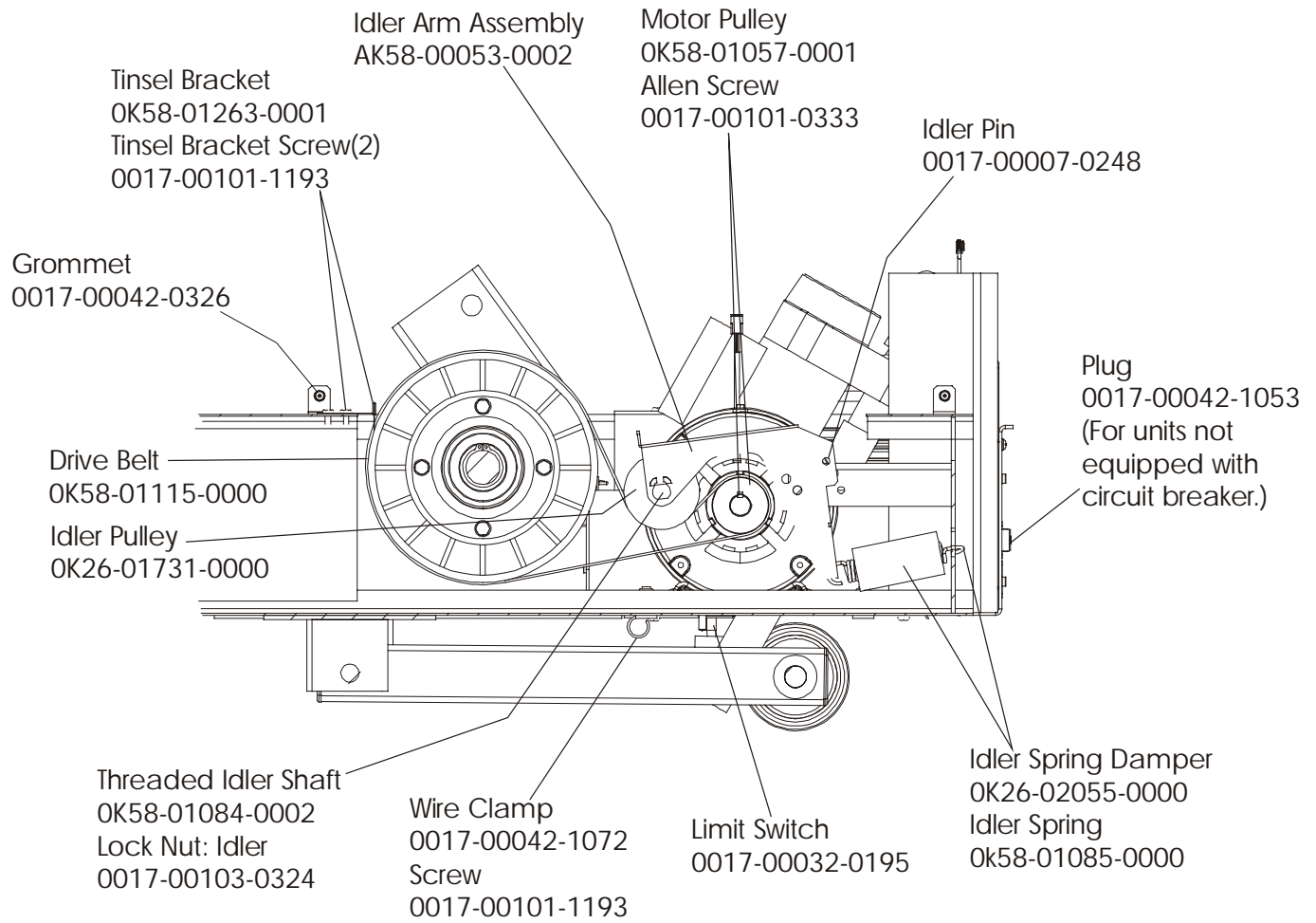
**Treadmill 97Ti**  
**Wax Components**

**97T-0XXXX-02**  
**S/N TTO100000**



**Treadmill 97Ti**  
**Idler Arm Assembly & Static Brush**

**97T-0XXXX-02**  
**S/N TTO100000**



**Treadmill 97Ti**  
**Leveler Assembly AK58-00052-0000**

**97T-0XXXX-02**  
**S/N TTO100000**

Flat Washer-4  
0017-00104-0190

Lock Washer-4  
0017-00104-0333

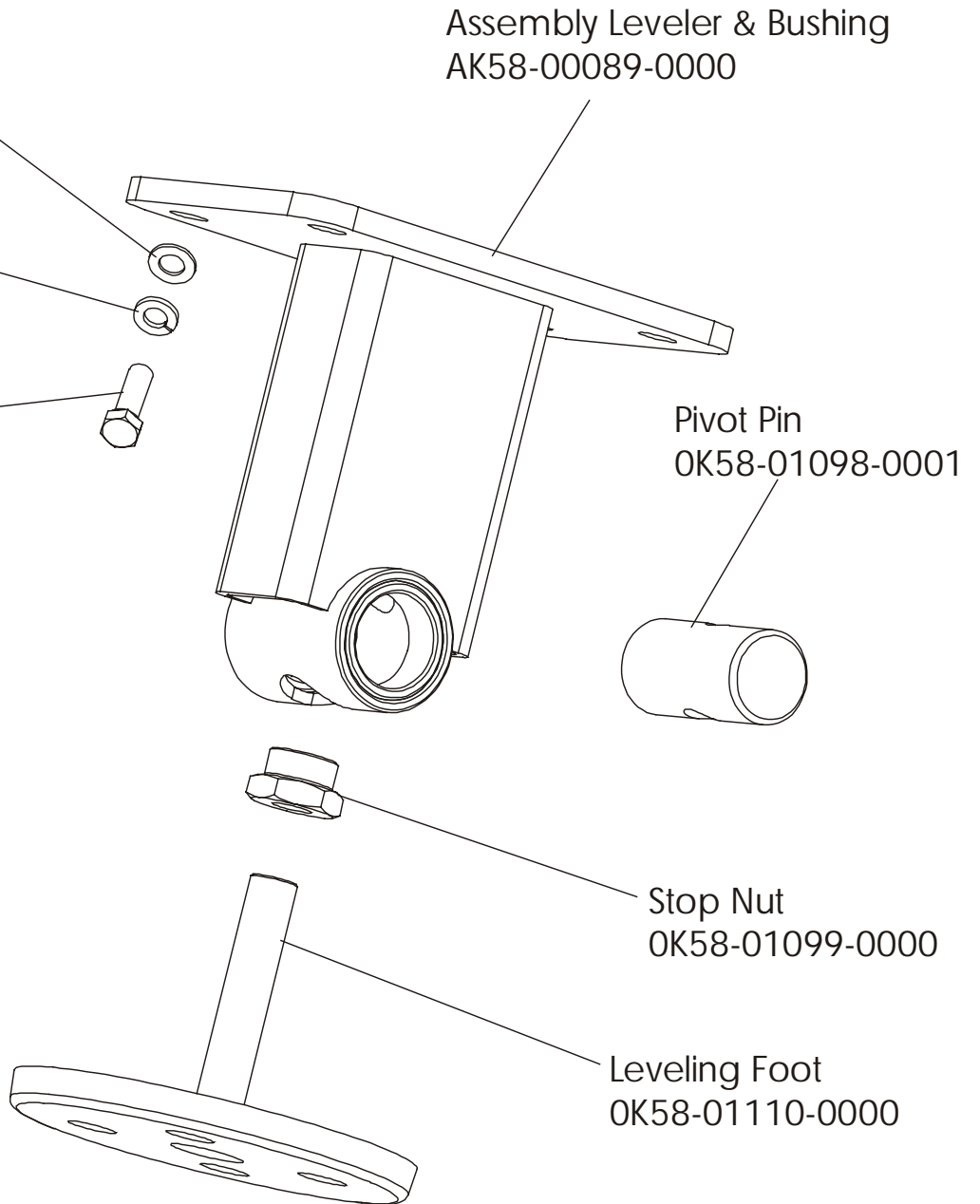
Hex Nut-4  
(8-18x10)  
0017-00101-1253

Assembly Leveler & Bushing  
AK58-00089-0000

Pivot Pin  
OK58-01098-0001

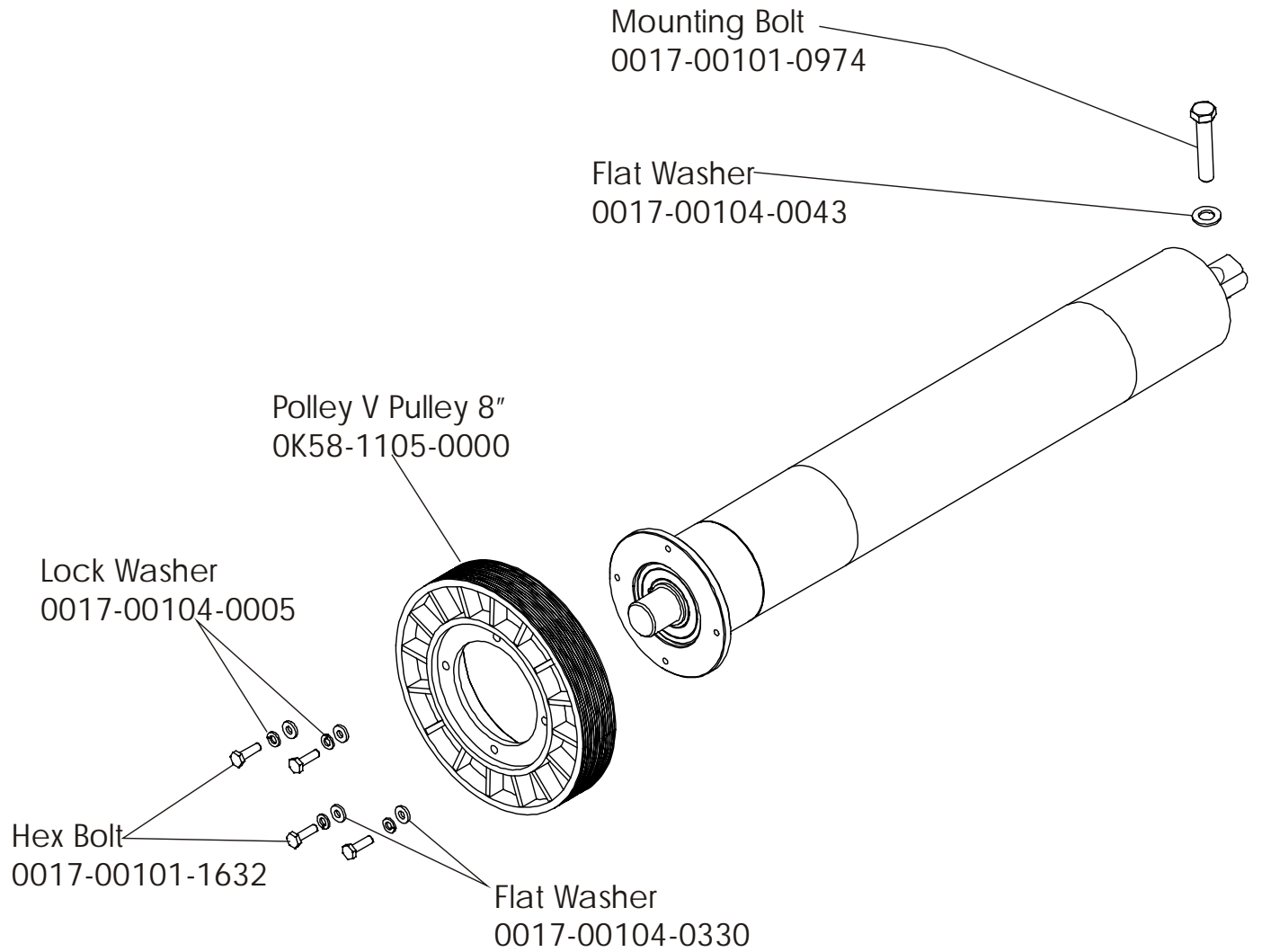
Stop Nut  
OK58-01099-0000

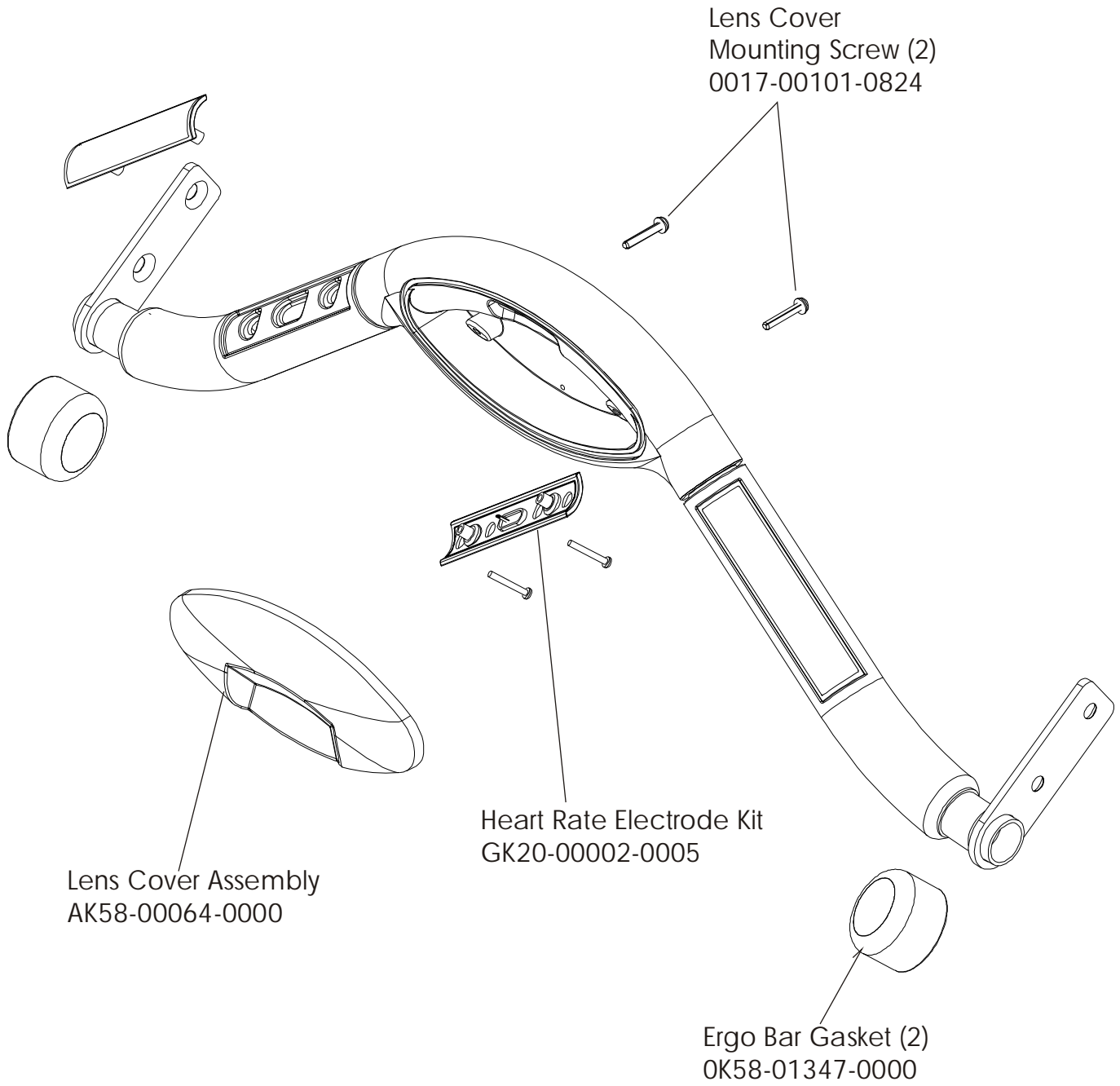
Leveling Foot  
OK58-01110-0000



**Treadmill 97Ti**  
**Front Roller Assy AK58-00067-0000**

**97T-0XXXX-02**  
**S/N TTO100000**

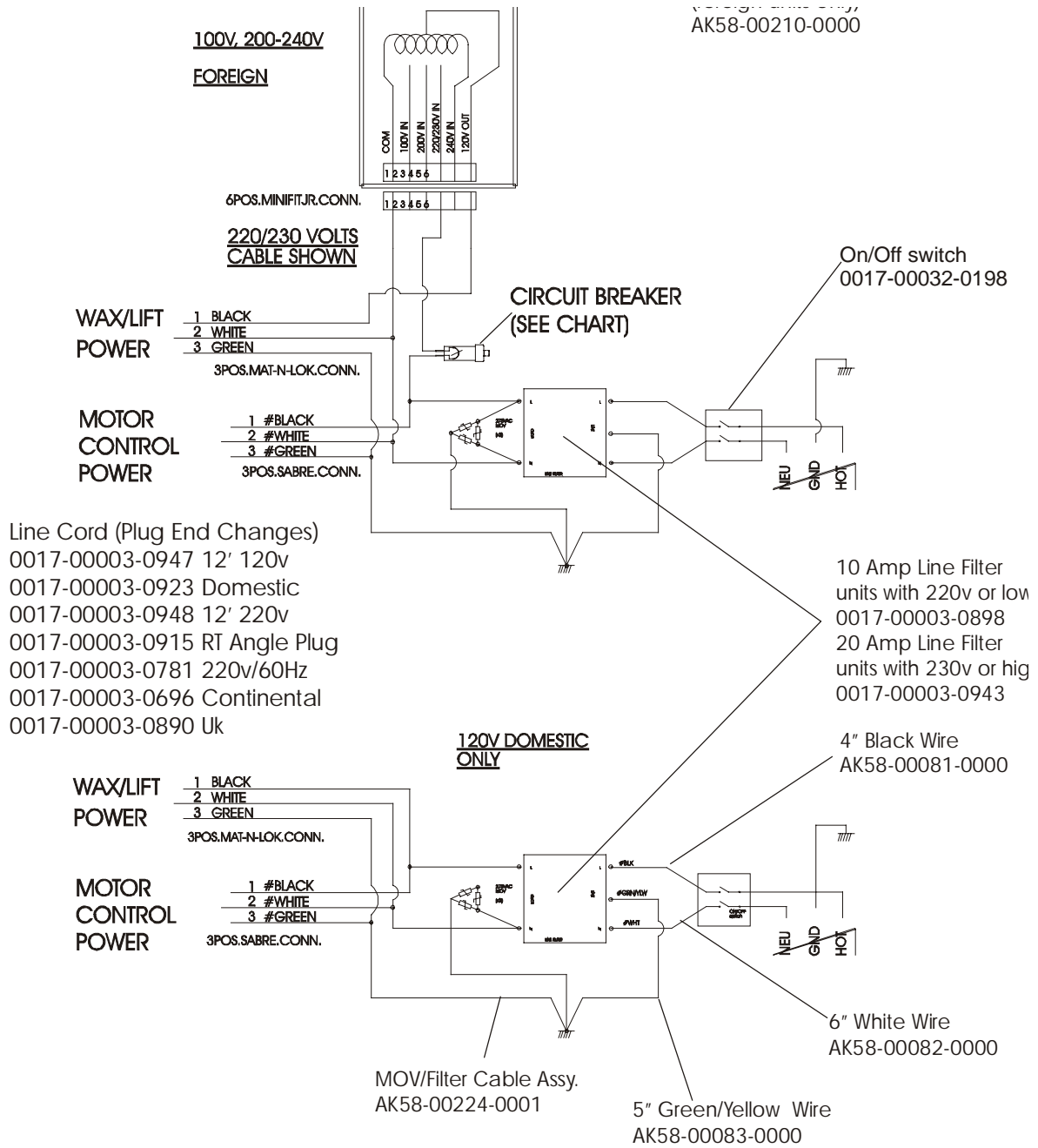




# Treadmill 97Ti

## Power Components Schematic

**97T-0XXXX-02**  
**S/N TTO100000**



Voltage	Power Cable Part No.	Breaker AMP/Part No.
100v	AK58-00258-0001	4 AMP/0017-00003-0950
200v	AK58-00258-0002	2 AMP/0017-00003-0626
220/230v	AK58-00258-0003	2 AMP/0017-00003-0626
240+	AK58-00258-0004	2 AMP/0017-00003-0626



